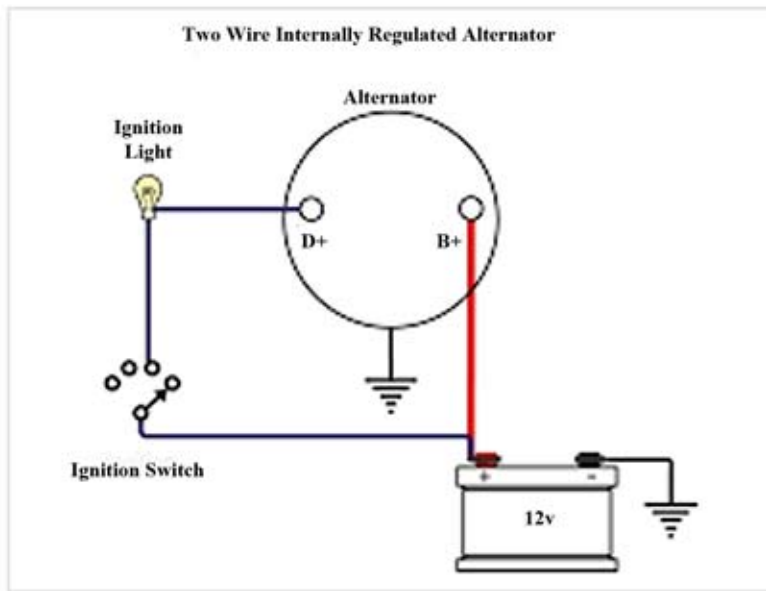


DOWN *to* EARTH

CUSTOM & CLASSIC AUTO WIRING



D+ is the top terminal. Switched live via warning light.

B+ is the rear terminal. Run wire to battery or starter solenoid using minimum 60 amp wire.

Battery light must be ordinary incandescent type not LED.

Unit itself earths through body. Ensure mounting points are good earths.